



- Model 5241 — **Bradex**<sup>®</sup>
- Controlled Delivery — Rocking Action
- Dual Roll (For Single Roll see Model 5071)

### Product Materials

**BRACKET:** diecast aluminum.  
**SPINDLE:** gray polystyrene. Stainless steel spring.

### Capacity

Two standard core toilet tissue rolls through 5½" in diameter.

### Operation

Remove tissue roll core to access special vandal-resistant locking mechanism for servicing. Stops on spindle control paper delivery. Spindle revolves only ½ turn for each dispensing operation and returns to original position.

### Installation

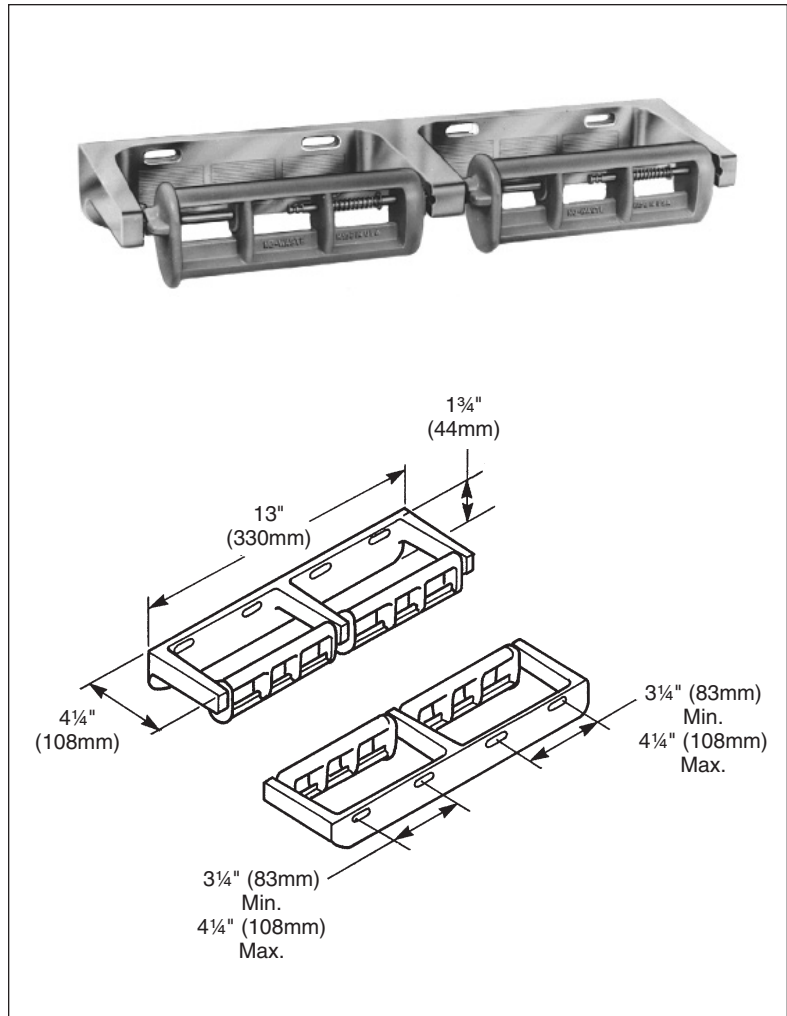
Verify all rough-in dimensions prior to installation. Secure to wall with mounting screws (included) at holes provided.

### Optional Features

Feature	Suffix
<input type="checkbox"/> Non-controlled delivery <b>Bradex</b> <sup>®</sup>	-50

### Guide Specification

Surface-mounted toilet tissue dispenser shall be diecast aluminum with satin finish and hold two standard core toilet tissue rolls. Stops control paper delivery.  
**Overall dimensions: 13"W x 1¾"H x 4¼"D.**



Orders composed of products indicated as **Bradex**<sup>®</sup> will be available to ship in three days after receipt of order at the factory. There is no pricing penalty for this service from Bradley.